

## PRINTING Fume Extraction Solutions

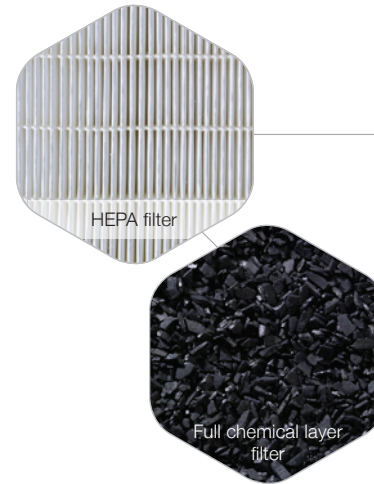
# PP Universal

PrintPRO

Fume extraction system for the **print and print finishing** industries.

BOFA's pioneering extractor, the PrintPRO Universal is designed exclusively for the print and print finishing industries. The PrintPRO Universal's unique features enable it to effectively capture and remove a wide range of solvents generated within these environments, including MEK, Ketones and Ozone from UV applications.

The PrintPRO Universal is easily adapted to a huge range of environments, including wide format printing, inkjet coding printers (CIJ) (both solvent and UV) and numerous mailroom applications such as UV coating, hot melt glue binding and mailwrap polywrapping.



### STANDARD FEATURES:

- VOC gas sensor (Volatile Organic Compound)
- Auto sensing voltage (90-257v) for global use
- Extended life carbon for low cost of ownership
- Specially treated carbon for safe containment of print fumes
- Low noise level
- Small footprint
- Compact size enables extraction unit to be positioned within the printer footprint
- CE and UL approvals
- Castors for portability
- Powder coated for durability
- Digital speed control
- Filter change indicator

### OPTIONAL FEATURES:

- 24V Remote stop / start interface via printing machine
- Filter change signal
- DeepPleat pre filter
- Quiet mode silencer box for office environments, with option to vent outside the building



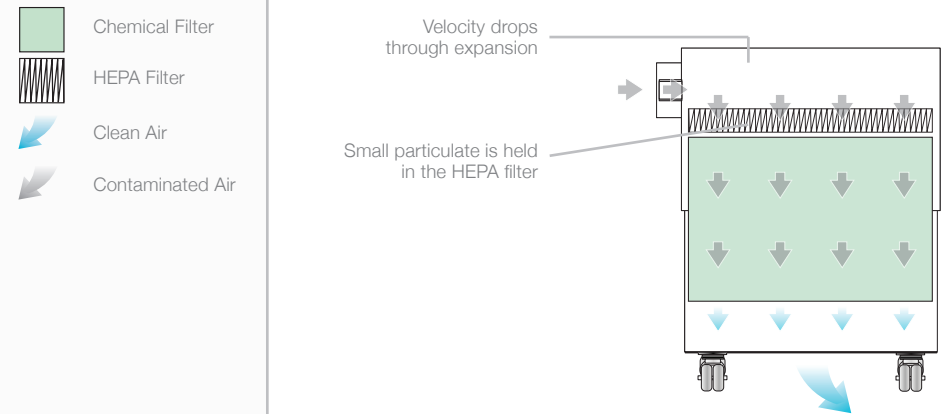
PART NUMBERS		OPTIONS			
Model	Part No.	24V Stop / Start	Filter change / System failure signal	Silencer Box	
				with spigot	with grille
PrintPRO Universal Powder Coated	L2044A	A2001	A2002	A1060052	A1060187

REPLACEMENT FILTERS	
Model	Combined Filter
PrintPRO Universal	A1030228

TECHNICAL DATA		
	EU	US
Dimensions (HxWxD)	625 x 355 x 520 mm	24.6 x 14 x 20.5"
Cabinet Construction	Powder coated mild steel	
Airflow / Pressure	380m <sup>3</sup> /hr / 96mbar	223cfm / 96mbar
Electrical Data	90 - 257v 1ph 50/60Hz Full load current: 12.5 amps/ 1.1kw	
Noise Level	< 63dBA (at typical operating speed)	
Weight	50kgs	110lbs
Approvals	CE	UL

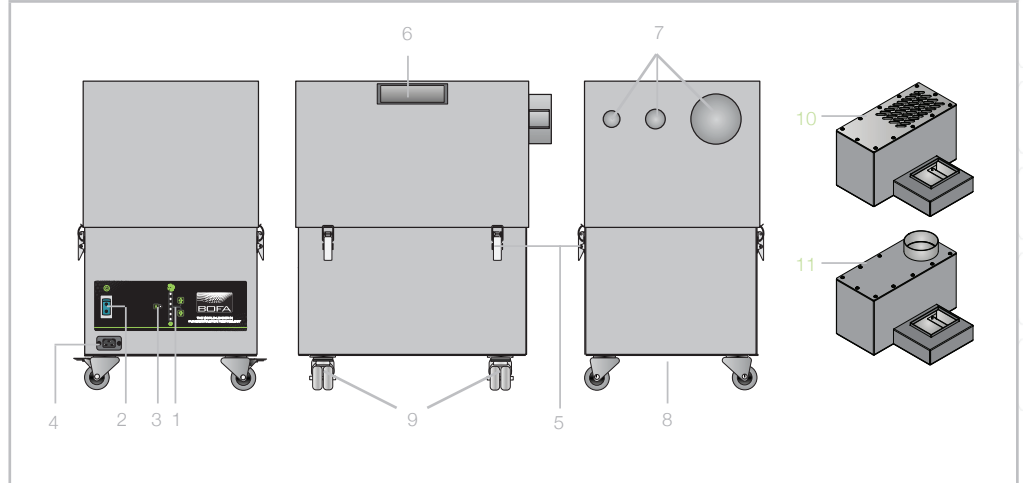
GAS / HEPA FILTER SPECIFICATIONS	
Treated Activated Carbon	20kgs
Filter Media	Glass Fibre
Filter Housing	Zintec mild steel
Surface Media Area	3.5m <sup>2</sup> approx

## AIRFLOW THROUGH FILTERS



## TECHNICAL SPECIFICATION

- Digital Speed Control
- On / Off Switch
- Filter Condition Display
- IEC Power Cable Inlet
- Lid Fastening Latches
- Handles
- Hose Inlet Connections - 32mm / 38mm / 100mm
- Exhaust Outlet
- Castors
- Optional Silencer Box with Grille
- Optional Silencer Box with Spigot



Other hose kits and filters are available. All of the above units are fitted with our standard filter combinations. For specific applications please call us for details. Replacement filters should always be ordered using the part number on the filters inside your extractor to ensure the correct filter is ordered. Datasheet correct at time of print. PrintPRO-Universal:6/12/16V:2.3



### BOFA INTERNATIONAL LTD

Tel: +44 (0) 1202 699 444 Fax: +44 (0) 1202 699 446 Email: sales@bofa.co.uk Web: www.bofa.co.uk

### BOFA AMERICAS, INC

Tel: (618) 205 5007 Fax: (866) 707 2632 Email: sales@bofaamericas.com Web: www.bofaamericas.com



British Quality

